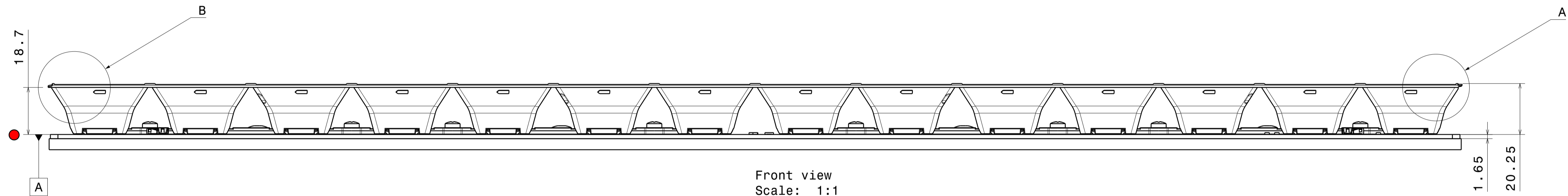
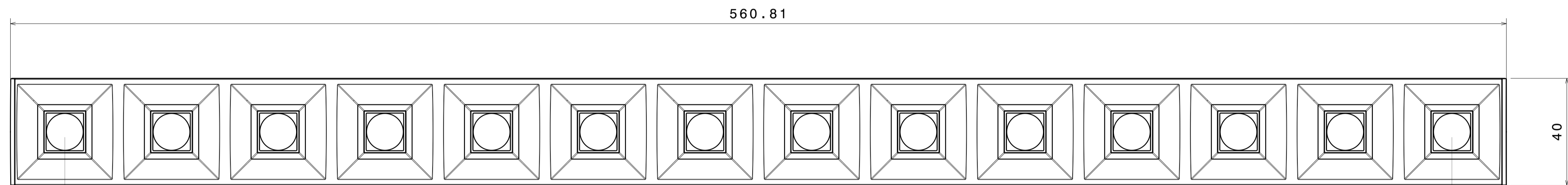


Front view
Scale: 1:1

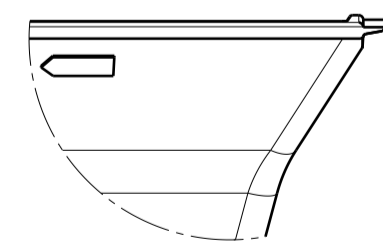


Front view
Scale: 1:1

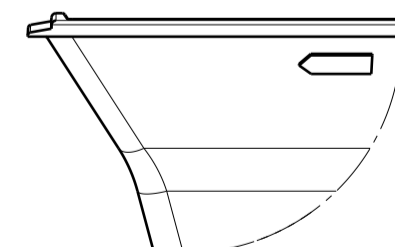


Front view
Scale: 1:1

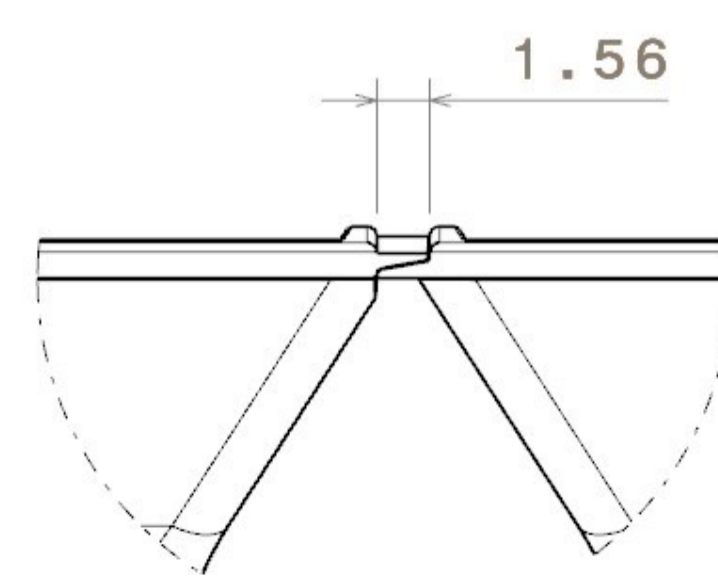
13x40=520



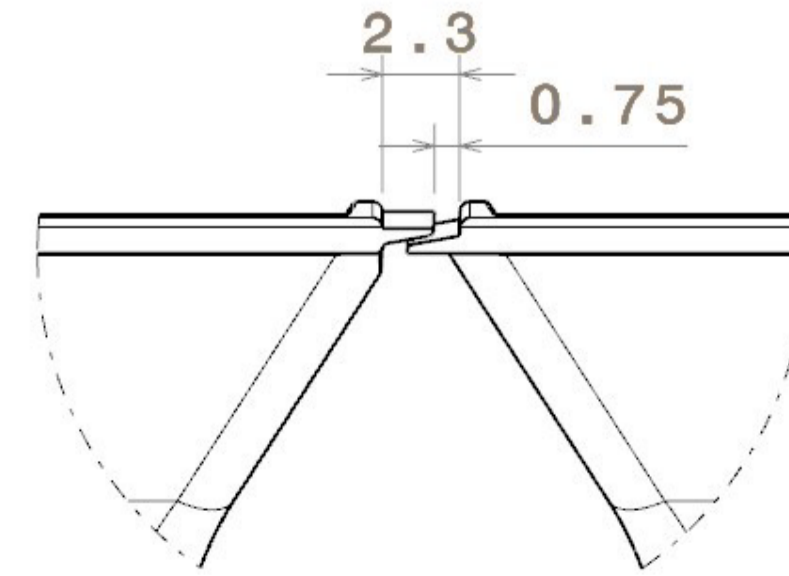
Detail A
Scale: 2:1



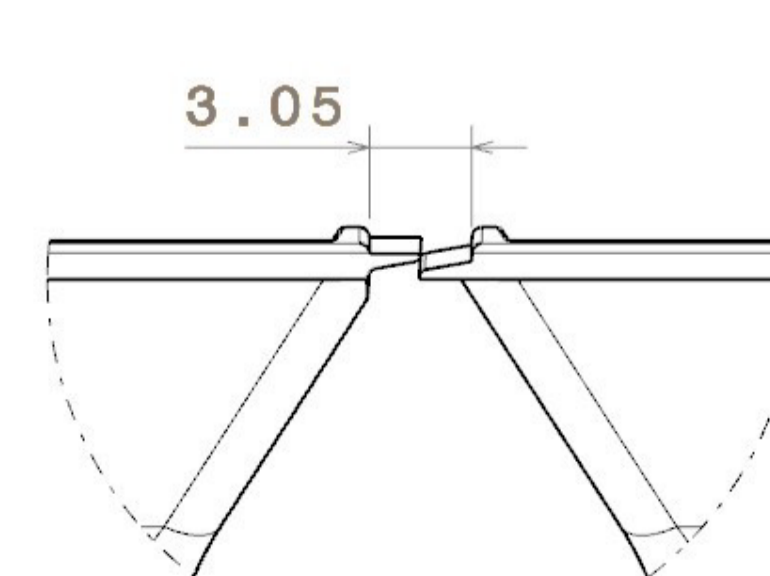
Detail B
Scale: 2:1



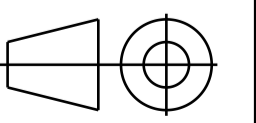
+0,75mm



Nominal

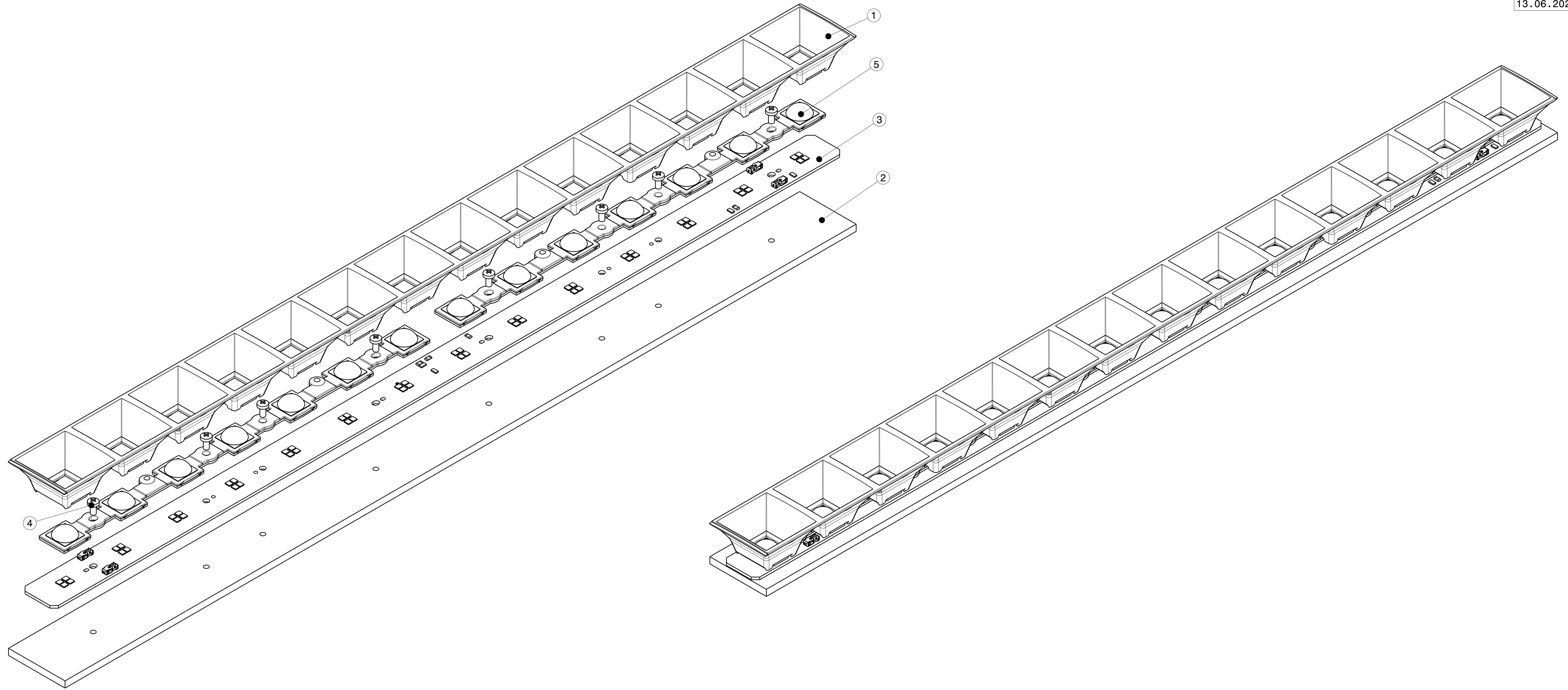


-0,75mm

MECHANICAL DRAWING		LEDiL
PRODUCT	DAISY-14x1	
<small>Plastic moulding general tolerances according to DIN 16901-130 and applies if not otherwise shown in the drawing. Silicone moulding general tolerances according to ISO 3302-1 Class M3 and applies if not otherwise shown in the drawing.</small>		<small>First Angle Projection:</small>  <small>This drawing is the property of LEDiL Oy. It may not be copied or otherwise distributed without prior written permission from LEDiL Oy.</small>
SCALE	1:1	<small>WEIGHT -</small> A1 SHEET 1/2

Notes

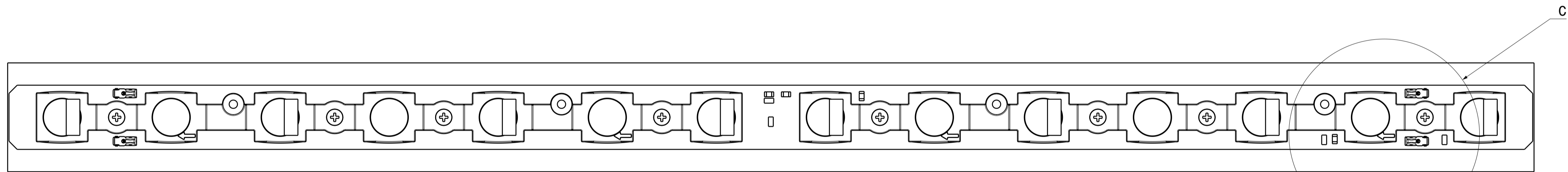
- PCB or heatsink level.
- LED location
- Ensure LED fitting from a product specific 3D model available from www.ledil.com
- For more details about installation please see LEDiL Installation Guide on www.ledil.com



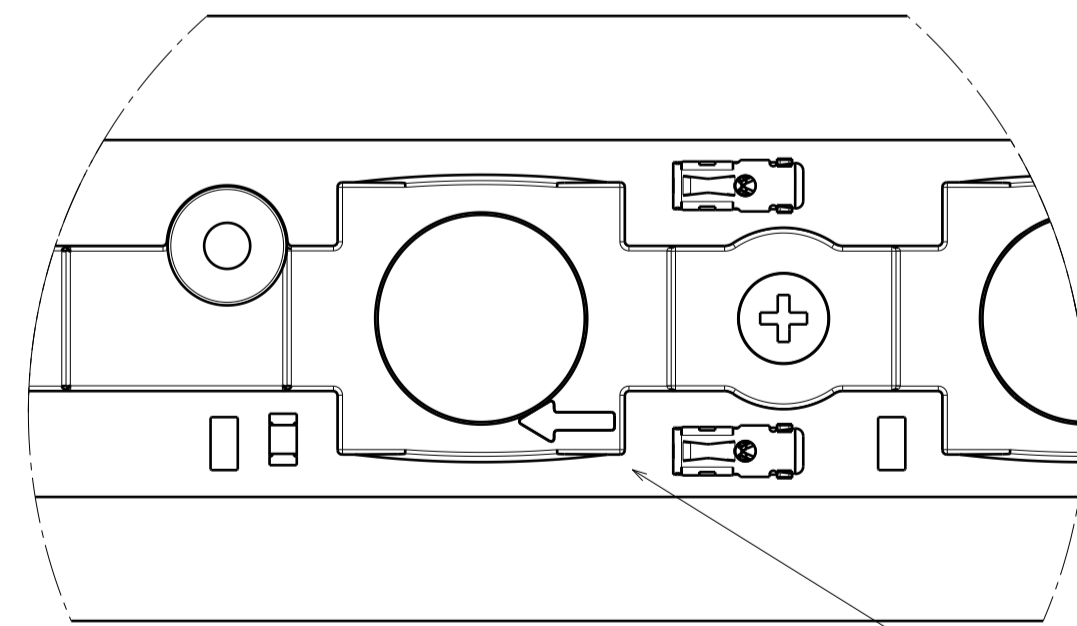
CNxxxxx_DAISSY-14X1-GENERIC_
COMPONENTS

CN-CODE	INDEX	PART	TYPE	COUNT	MATERIAL	COLOR / COATING
	1	C19432_DAISSY-14X1-SHD2-MATT	SHD	1	PC+ABS	BLACK, MATT
	1	C19433_DAISSY-14X1-SHD2-WHT-MATT	SHD	1	PC	WHITE, MATT
	2	Profile		1		
	3	PCB		1		
	4	M3-SCREW		8	Steel	
CN19524_DAISSY-14X1-WW	5	C16870_Daisy-7x1-WW	LENS	2	PMMA	CLEAR
CN19525_DAISSY-14X1-WW-D	5	C17361_DAISSY-7X1-WW-D	LENS	2	PMMA	DIFFUSIVE
CN19526_DAISSY-14X1-W	5	C16871_DAISSY-7X1-W	LENS	2	PMMA	CLEAR
CN19527_DAISSY-14X1-W-D	5	C17362_DAISSY-7X1-W-D	LENS	2	PMMA	DIFFUSIVE
CN19528_DAISSY-14X1-W2	5	C16989_DAISSY-7X1-W2	LENS	2	PMMA	CLEAR
CN19529_DAISSY-14X1-W2-D	5	C17363_DAISSY-7X1-W2-D	LENS	2	PMMA	DIFFUSIVE
CN19530_DAISSY-14X1-O	5	C17538_DAISSY-7X1-O	LENS	2	PMMA	CLEAR
CN19531_DAISSY-14X1-O-D	5	C17540_DAISSY-7X1-O-D	LENS	2	PMMA	DIFFUSIVE
CN19532_DAISSY-14X1-ZT25	5	C17390_DAISSY-7X1-ZT25	LENS	2	PMMA	CLEAR
CN19533_DAISSY-14X1-ZT25-D	5	C17767_DAISSY-7X1-ZT25-D	LENS	2	PMMA	DIFFUSIVE
CN19534_DAISSY-14X1-M	5	C17389_DAISSY-7X1-M	LENS	2	PMMA	CLEAR
CN19535_DAISSY-14X1-M-D	5	C18143_DAISSY-7X1-M-D	LENS	2	PMMA	DIFFUSIVE
CN19536_DAISSY-14X1-BW	5	C18806_DAISSY-7X1-BW	LENS	2	PMMA	CLEAR
CN19537_DAISSY-14X1-FT-D	5	C18244_DAISSY-7X1-FT-D	LENS	2	PMMA	DIFFUSIVE

MECHANICAL DRAWING		LEDiL
PRODUCT	DAISSY-14x1	
<small>Plastic moulding general tolerances according to DIN 16901-130 and applies if not otherwise shown in the drawing. Silicone moulding general tolerances according to ISO 3302-1 Class M3 and applies if not otherwise shown in the drawing.</small>	FIRST ANGLE PROJECTION: 	<small>This drawing is the property of LEDiL Oy. It may not be copied or otherwise distributed without prior written permission from LEDiL Oy.</small>
SCALE	1:1	WEIGHT - A1 SHEET 2/2



Front view
Scale: 1:1



Detail C
Scale: 2:1

Notice the light direction in lens: C18244_DAI5Y-7X1-FT-D

Notes

●	PCB or heatsink level.
●	LED location
	Ensure LED fitting from a product specific 3D model available from www.ledil.com
	For more details about installation please see LEDiL Installation Guide on www.ledil.com

MECHANICAL DRAWING		LEDiL
PRODUCT	DAISY-14x1-(FT-D)	
<small>Plastic moulding general tolerances according to DIN 16901-130 and applies if not otherwise shown in the drawing. Silicone moulding general tolerances according to ISO 3302-1 Class M3 and applies if not otherwise shown in the drawing.</small>	FIRST ANGLE PROJECTION: 	<small>This drawing is the property of LEDiL Oy. It may not be copied or otherwise distributed without prior written permission from LEDiL Oy.</small>
SCALE	1:1	WEIGHT - A1 SHEET 1/2